

# LP26 LED PAD

## 12-LED ULTRA LOW PROFILE WARNING LIGHTHEAD



### FEATURES

- World's No.1 - Ultra low profile 6.6mm lighthouse w/ SAE & ECE R65 Class 1 approval.
- Versatile installation in Horizontal mount or Vertical mount; either way meets SAE requirement.
- Double stack design w/ built-in selectable flash patterns in simultaneous or split flash.
- Self-Adhesive backing for quick & easy installation.
- Multi-Voltage Input 12~24VDC.
- Self-contained; no external flasher required.
- Multi-units synchronization in simultaneous or alternating flash.
- Reverse polarity protection.
- Weatherproof and vibration resistant design for external or internal use.
- Solid aluminium backing for efficient heat dissipation and maximum durability.

### SPECIFICATIONS

**Compliance:** SAE J595 Class 1, SAE J845 Class 1, ECE R65 Class 1, ECE R10 CA13, IPx7.

**LED Elements:** High-power LED x 12pcs

**No. of Warning Patterns:** 30

**Operating Voltage:** 12~24VDC

**Avg. Current:** 0.715A @12VDC / 0.357A @24VDC (varies with flash pattern)

**Max. Current:** 1.43A @12VDC / 0.715A @24VDC

**Avg. Power:** 8.6 Watt (varies with flash pattern)

**Max. Power:** 17.2 Watt

**Wires:** White - Vcc : 20cm (24AWG)  
Black - GND : 20cm (24AWG)  
Brown - Flash Patterns & Sync : 20cm (24AWG)

**Fuse Rating:** 2A

**Synchronization:** up to 20 units

**LED Colour:** Red, Blue, Amber, White

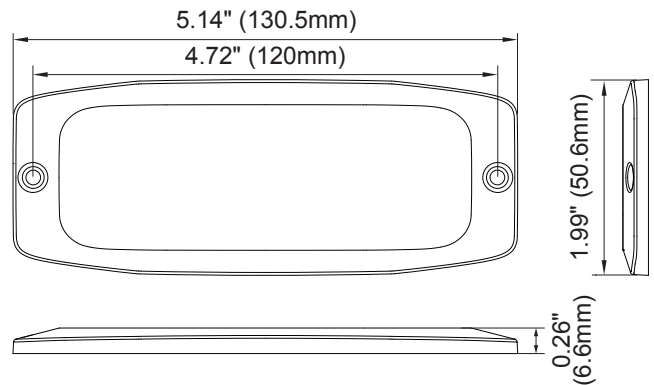
**Lens Colour:** Clear

**Storage Temp.:** -40°C to +75°C

**Working Temp.:** -30°C to +65°C

**Warranty:** 1 year

### DIMENSIONS



### FLASH PATTERN

FP#	Flash Pattern			
1	Double	[R65]*	16	Single H/L
2	Single	[2Hz]	17	Single-Triple-Quint
3	Triple	[2Hz]	18	Half-Steady-Half-Double (Split)
4	Quad	[2Hz]	19	Single (Split)
5	Random		20	Double (Split)
6	Steady / Cruise		21	Triple (Split)
7	Single	[SAE/CA13]	22	Quad (Split)
8	Double	[SAE]	23	Quint (Split)
9	Triple	[SAE]	24	Mega (Split)
10	Quad	[SAE]	25	Giga (Split)
11	Quint	[SAE]	26	Ultra (Split)
12	Mega		27	Single-Quad (Split)
13	Giga		28	Single H/L (Split)
14	Ultra	[SAE]	29	Single-Triple-Quint (Split)
15	Single-Quad		30	Steady-Dim EF**

(Split) = Top-half alternating Bottom-half.

\* Actual approval will be based on the model purchased.

\*\* For use with external flash controller.